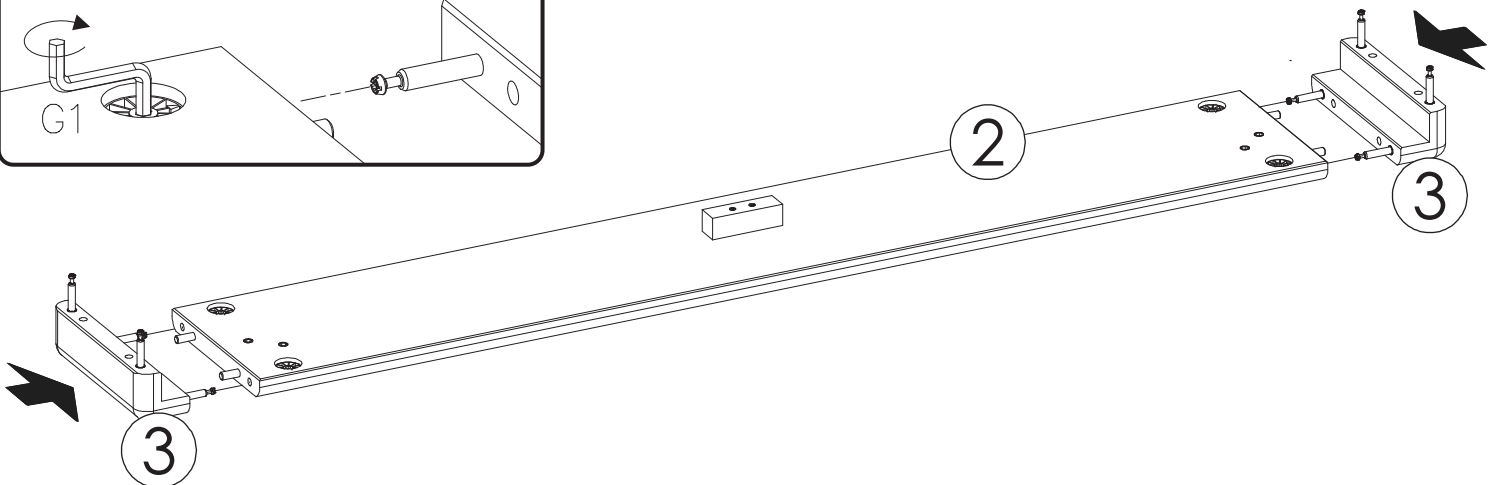
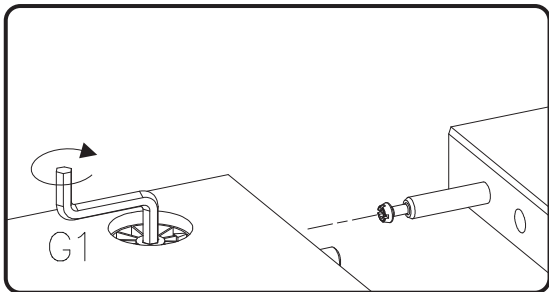
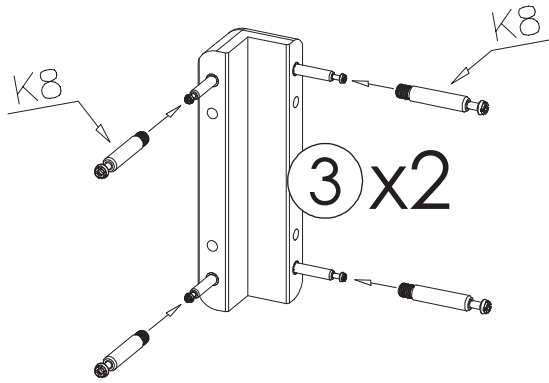
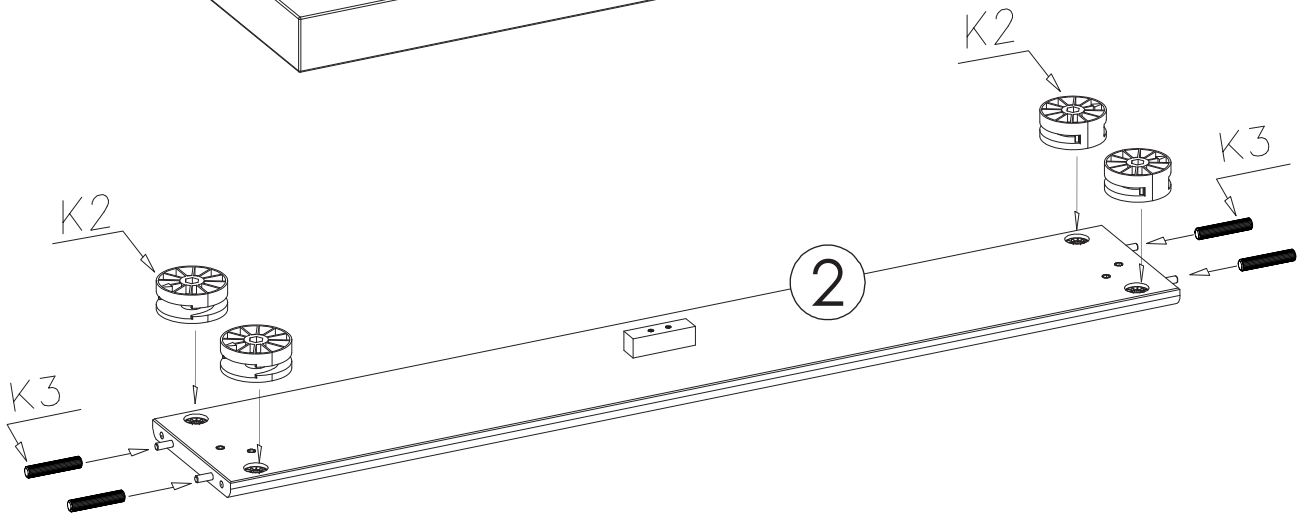
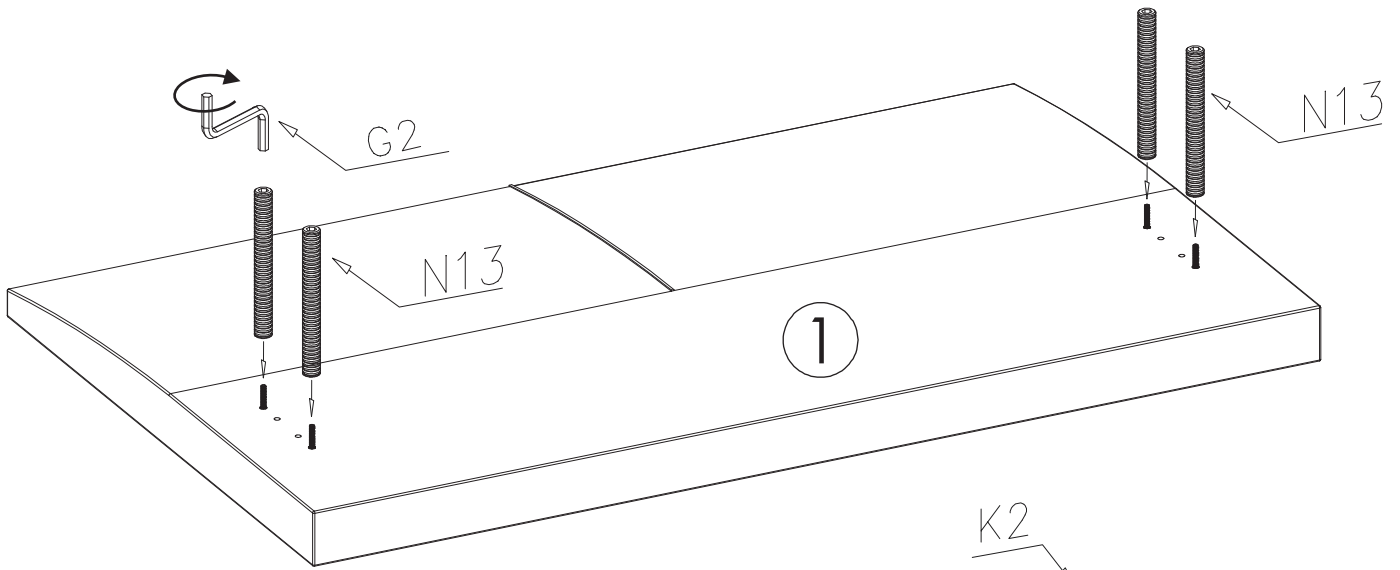


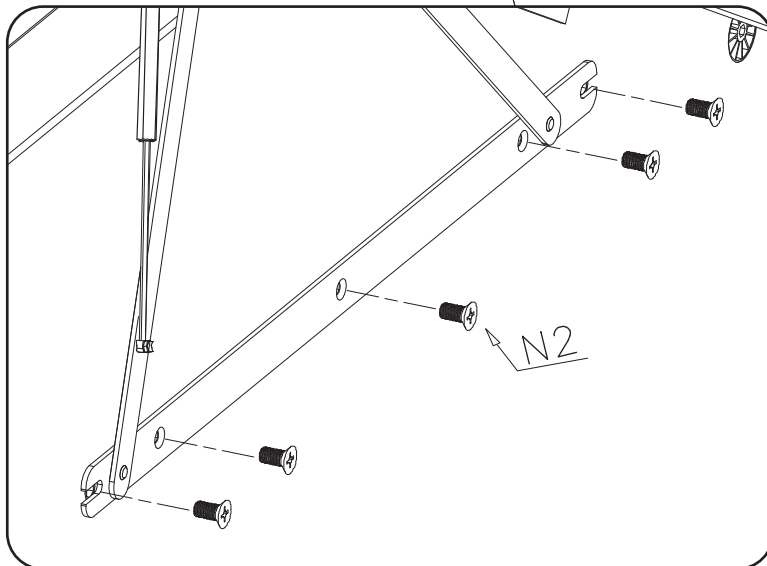
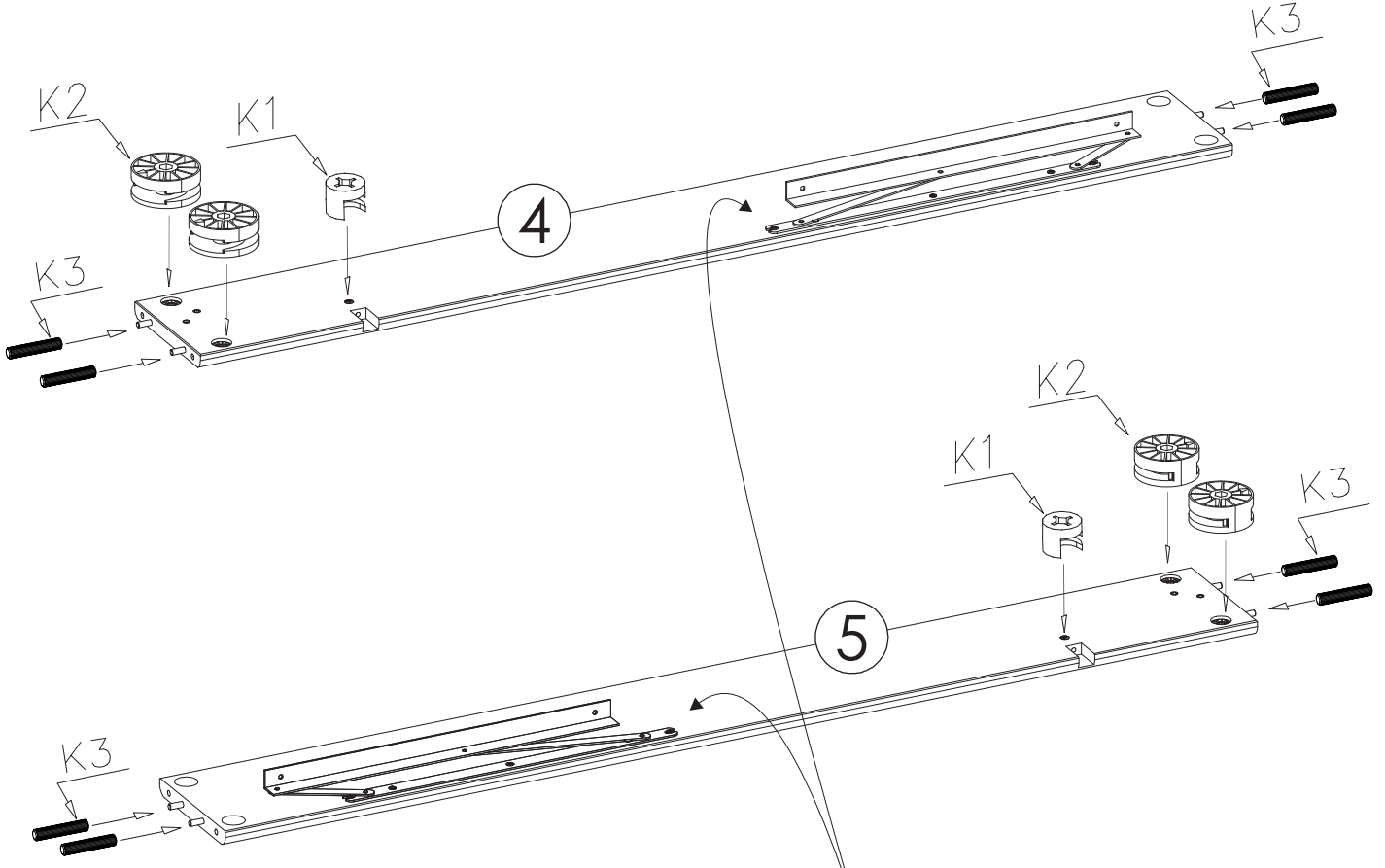
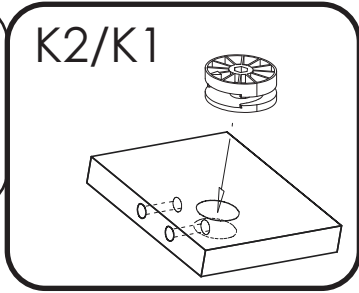
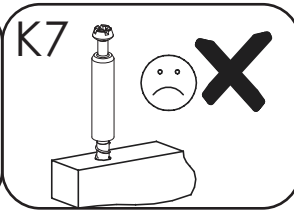
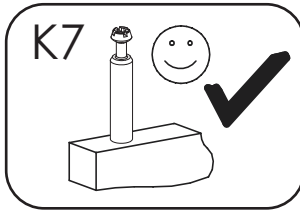
| | |
|------|---------|
| G12 | |
| 4x25 | x...(2) |

| | | | | |
|---------------------------------|---------------------------------|------------------------------|----------------------------|-------------------------------|
| K3 10x50 x...(12) | M5 8x35 x...(16) | G1 6 x...(1) | G2 4 x...(1) | G7 4x35 x...(4) |
| P1 x...(2) | N23 M8x20 x...(8) | K2 x...(8) | K8 x...(8) | W3 x...(1) |
| N7 x...(4) | N13 ø8x70 x...(4) | N2 M6 x...(10) | K1 x...(18) | K5 x...(18) |

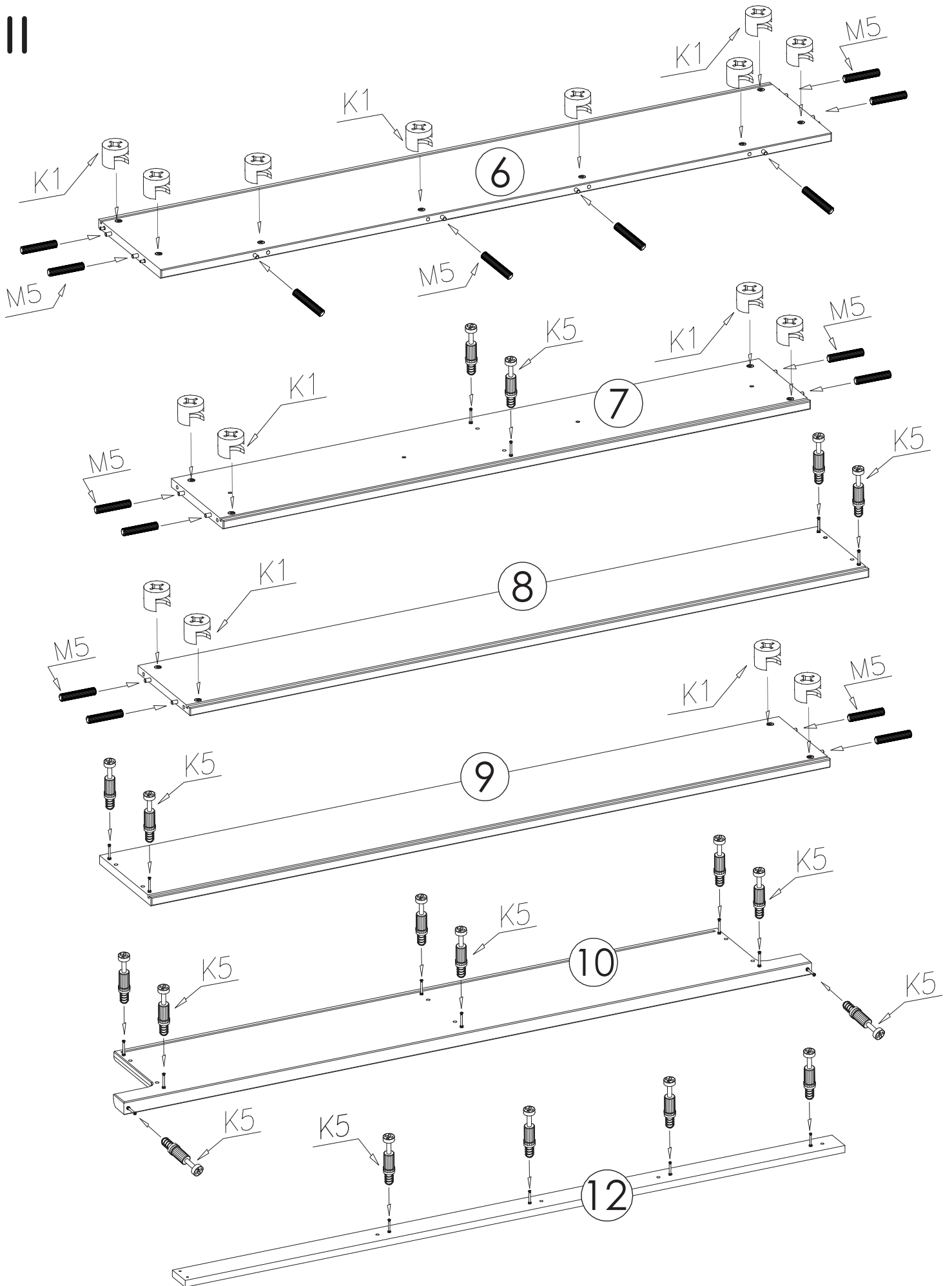
I



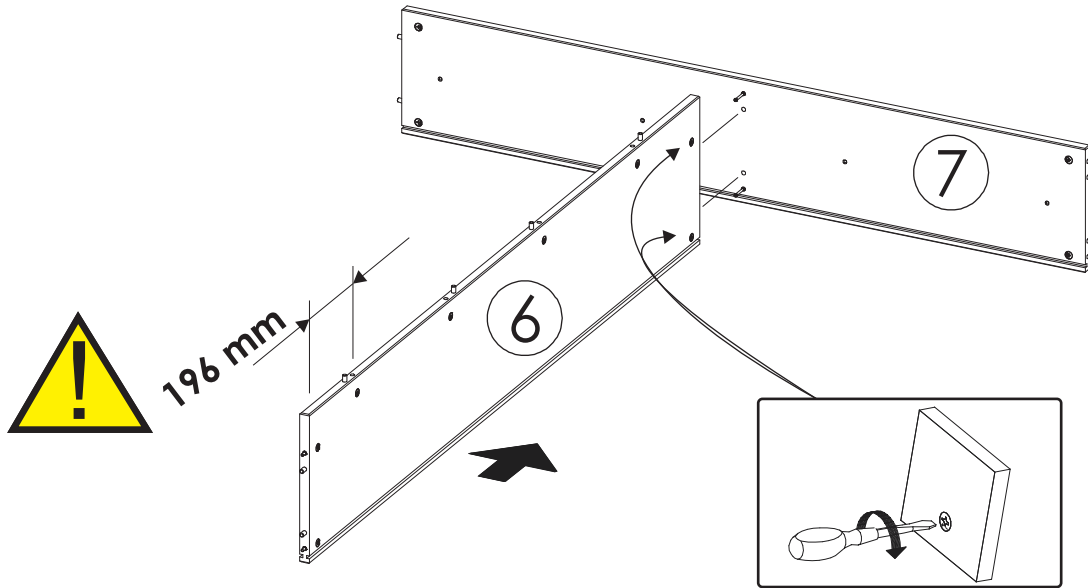
II



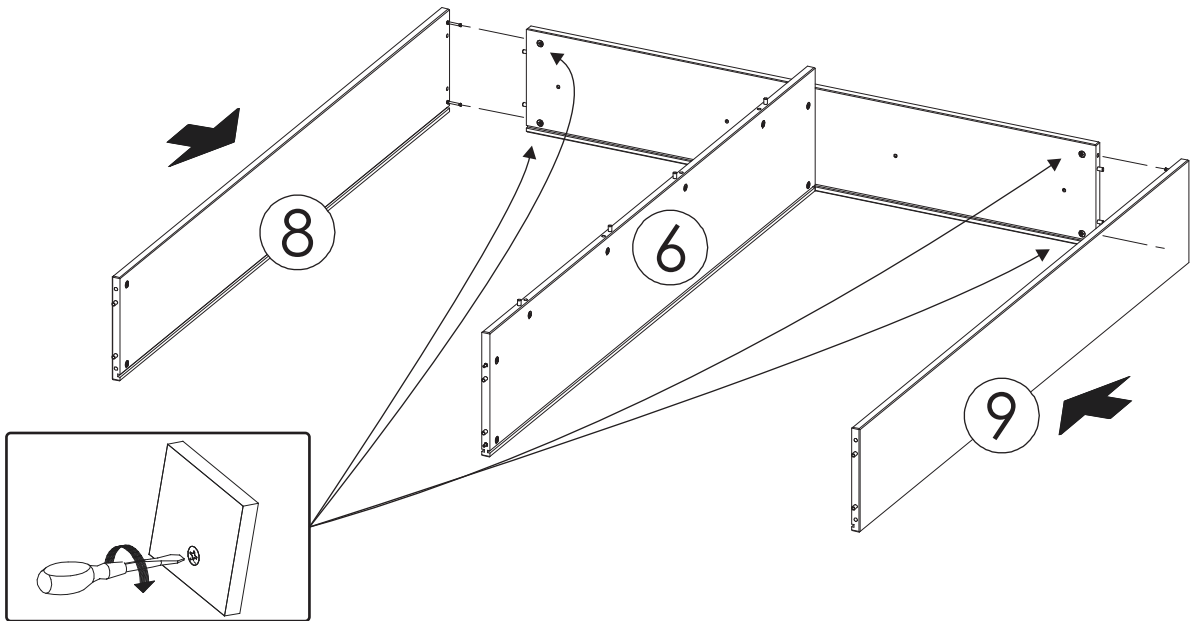
III



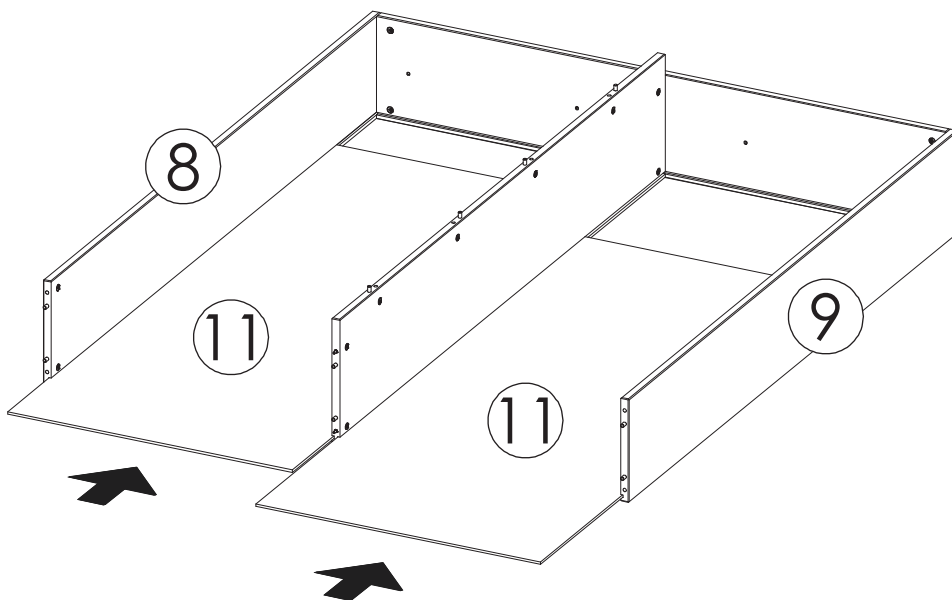
IV



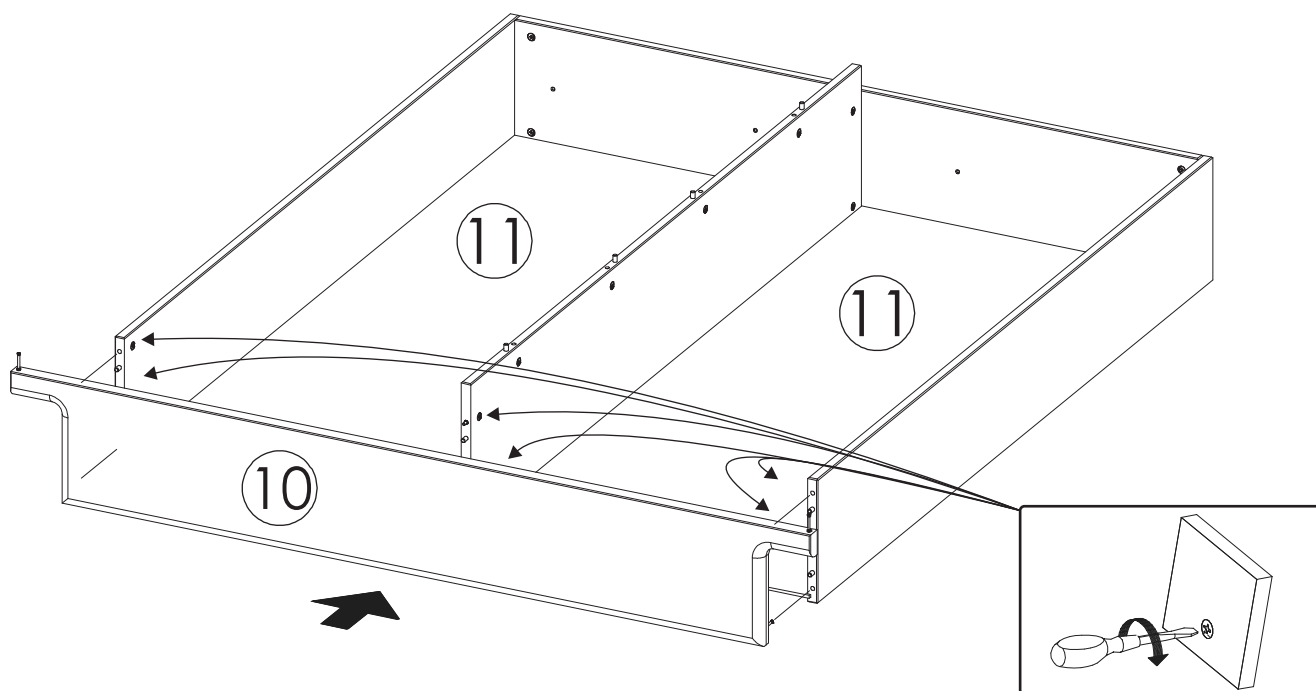
V



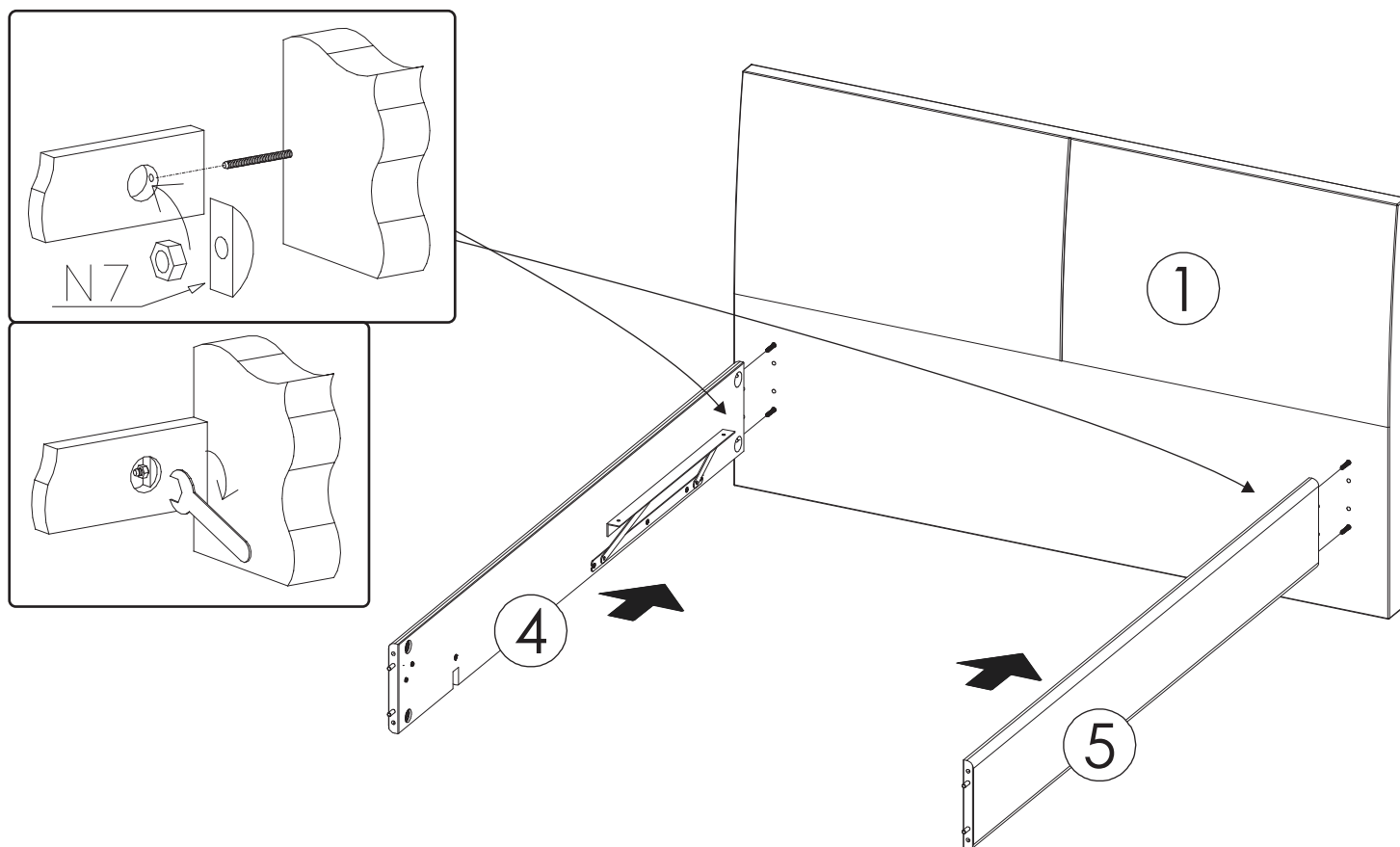
VI



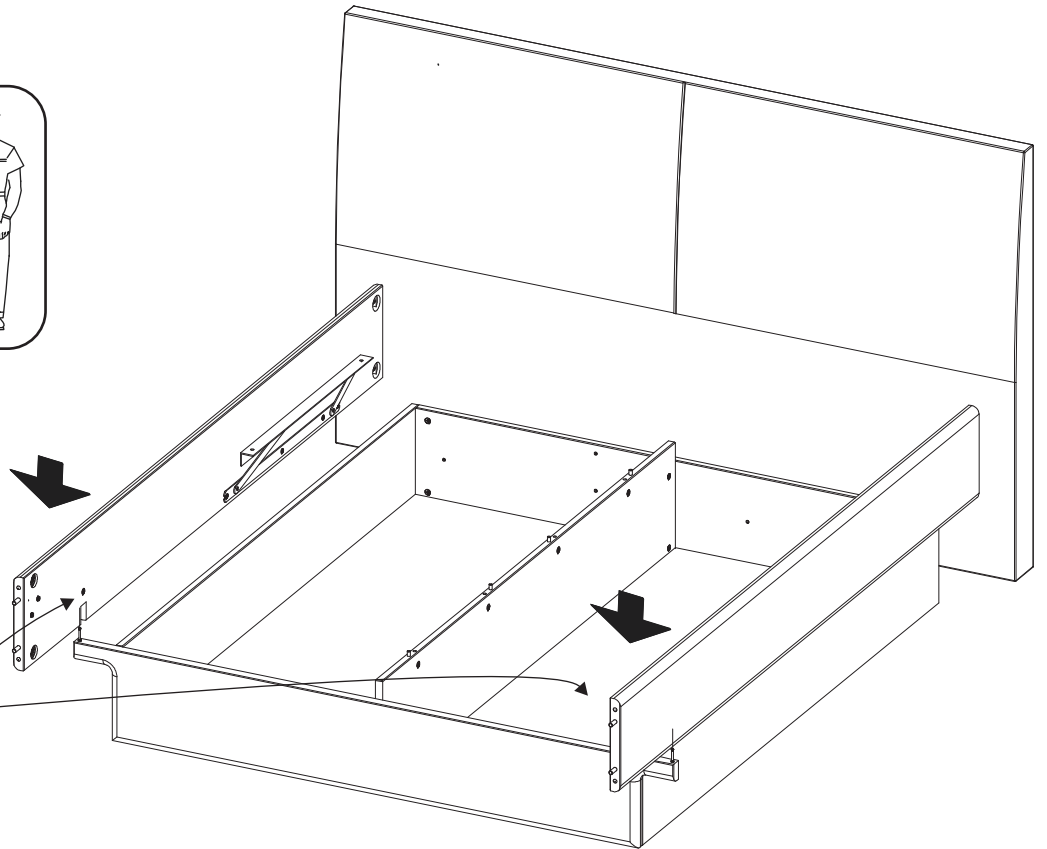
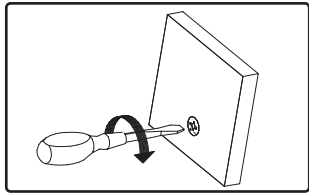
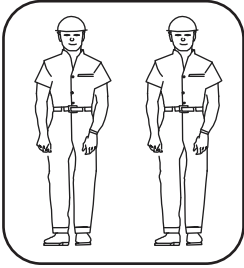
VII



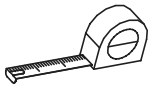
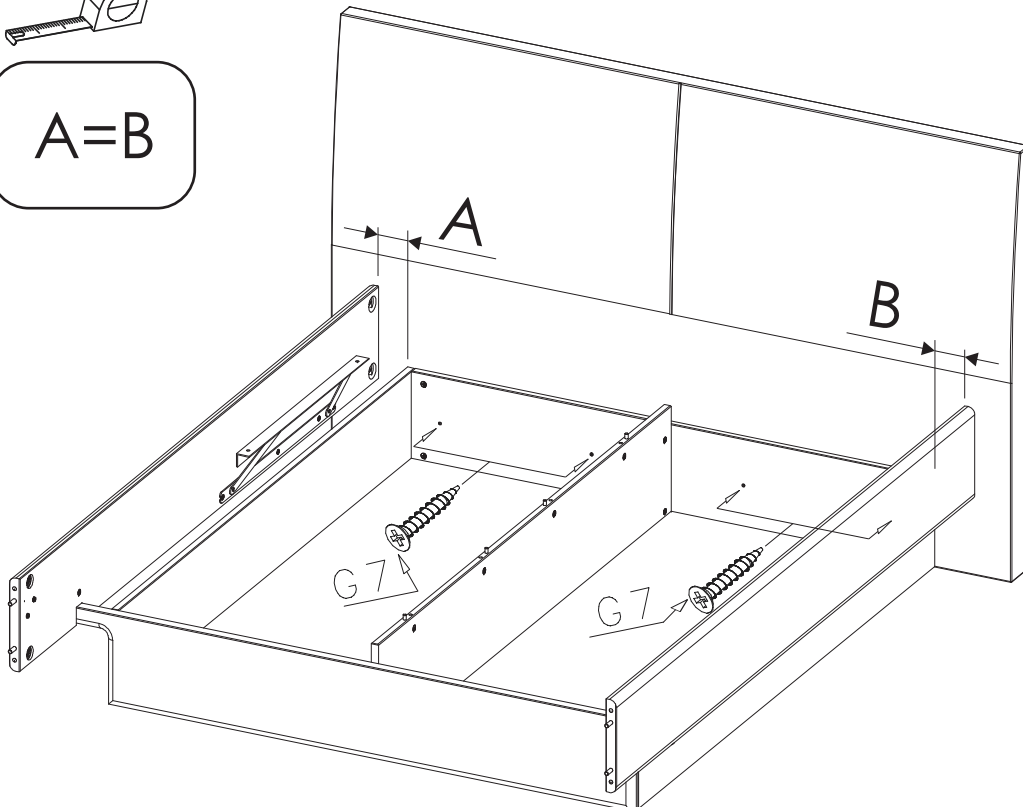
VIII



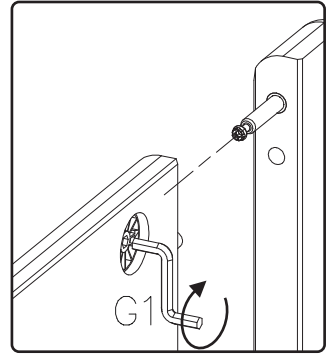
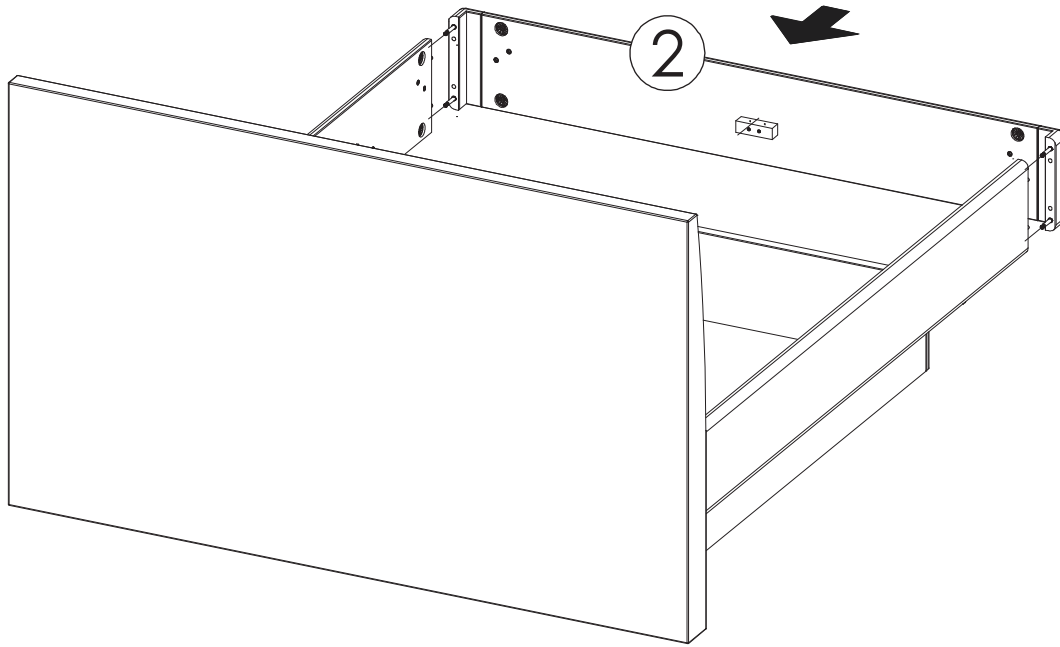
IX



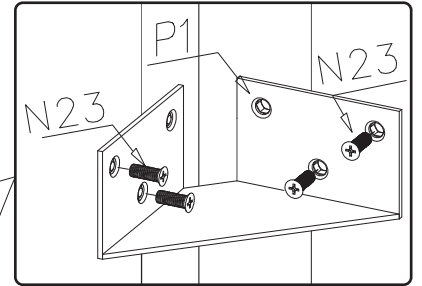
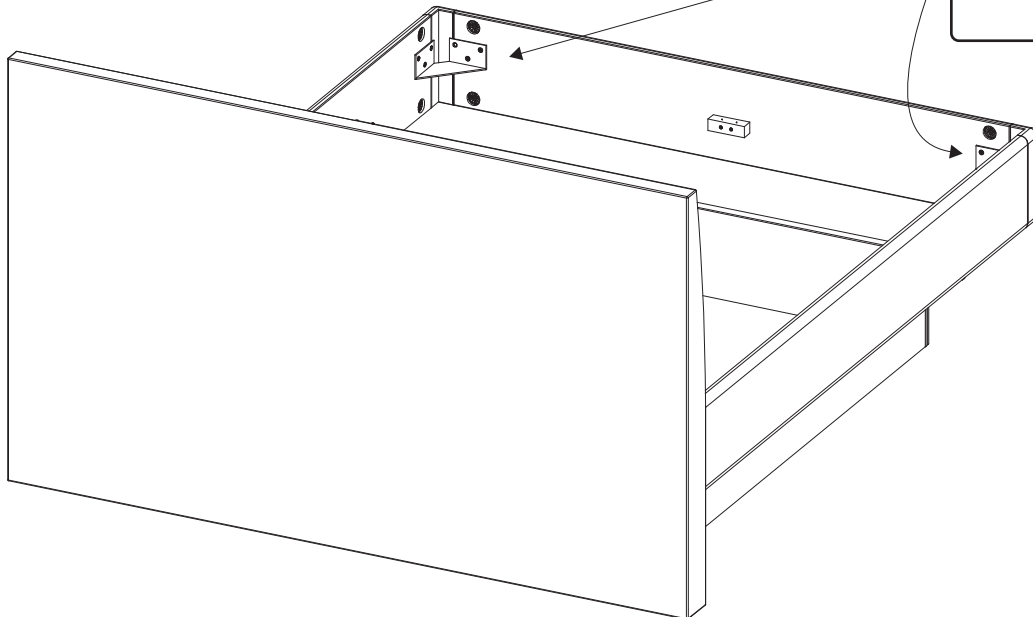
X

 $A=B$ 

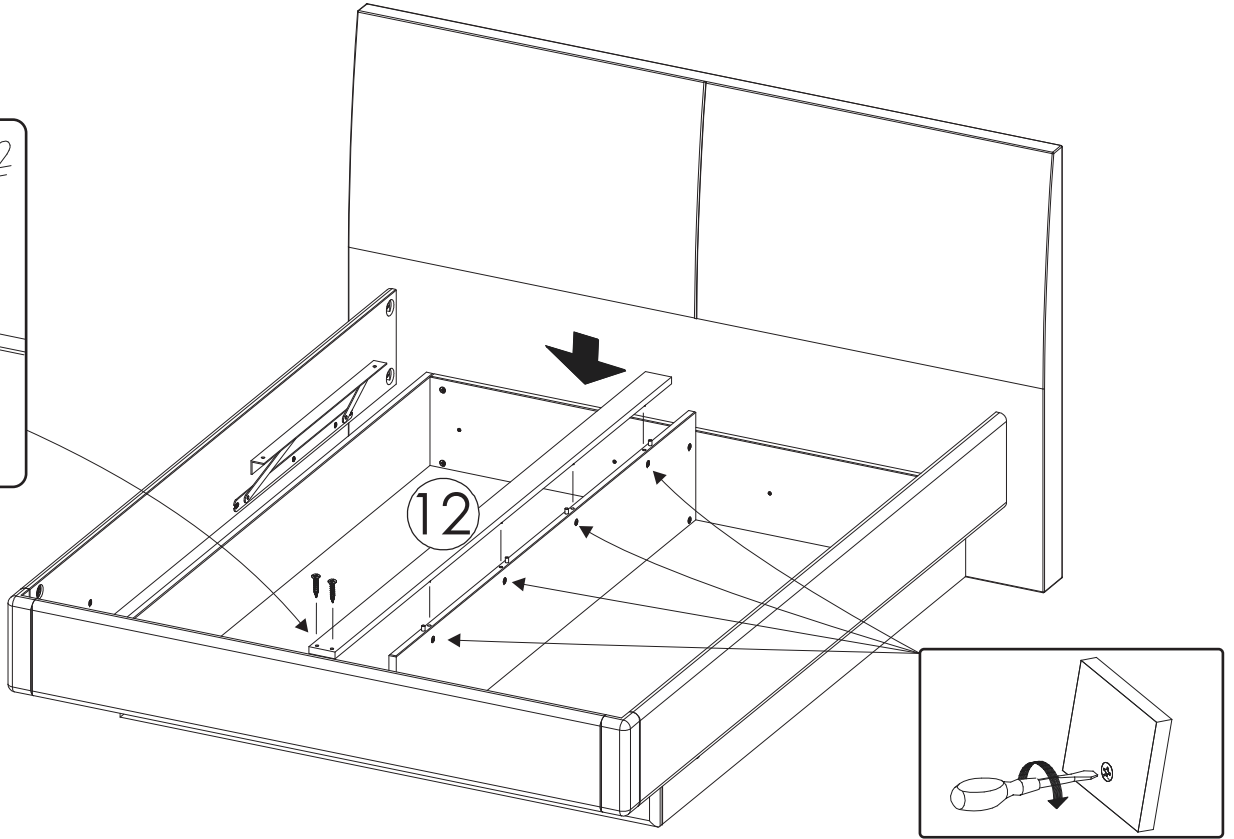
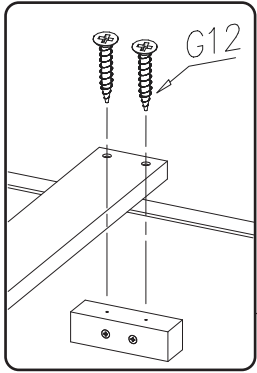
XI



XII



XIII



XIV

